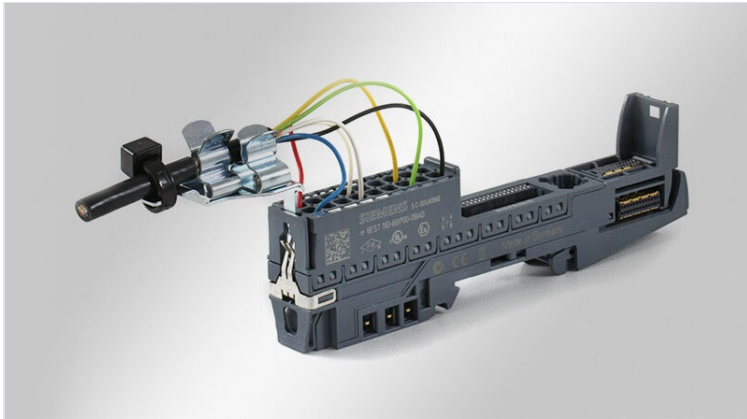


EMC shield clamps for bus modules

with plug-in mounting function



RoHS
compliant



Made in
Germany

The EMC shield clamp provides strain relief, cable guidance and earthing for decentralised bus modules of numerous manufacturers. The STFZ2 types are used for analogue I/O modules using two actuators / sensors.

Type STFZ|SKL is suitable for:

Bosch Rexroth: IP20 Inline Module

PHOENIX CONTACT: All terminals of the INLINE range. The terminals 1.4 and 2.4 must not be used for signal I/O.

Pilz: All PSSu-Modules with shield terminals 13 and 23

Siemens: All terminals of the ET200s range. Terminals 4 and 8 must not be used for signal I/O.

TURCK: All terminals of the BL20 I/O system.

VIPA SLIO: All terminals of the SLIO range. Terminals 4+8 must not be used for signal I/O.

WAGO: All terminals of the WAGO I/O Systems 750. Terminals 4 and 8 must not be used for signal I/O.

Rockwell Automation / Allen-Bradley: Series 1734

The STFZ I/O Insert Tool can be used for quick and easy mounting of STFZ terminal clamps.

Type STFZ-SP|SKL is suitable for:

Siemens: SIMATIC ET 200SP

Type STFZ-U|SKL is suitable for:

BECKHOFF: EL 3122, ES 3122, ES 9100, ES 9410, KL 1114, KS 2134

Specifications

Material	Shield clamp: Spring steel, zinc plated Snap foot: Mild steel, galvanically zinc plated
Properties	vibration proof
Mounting options	Snap-in

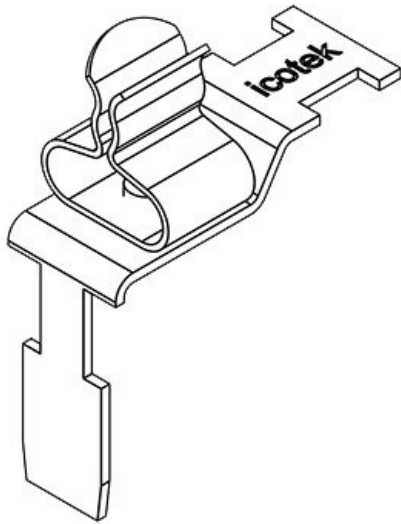
Advantages & benefits

- Large contact area
- Shield contact and strain relief separated
- The spring design requires no adjustments and will permanently maintain contact to the cable shield
- Earthing of signal cables close to the terminal
- Strain relief and cable management directly on the bus module

Product types & sizes

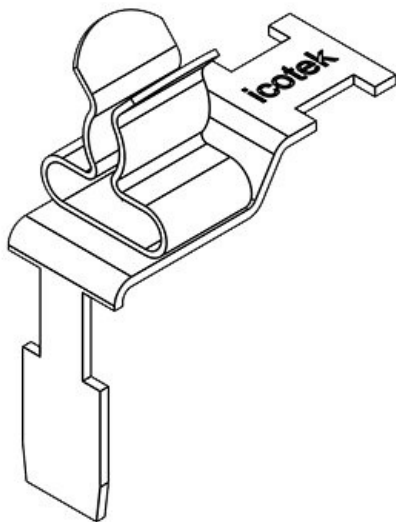
STFZ-SP|SKL 1.5-3

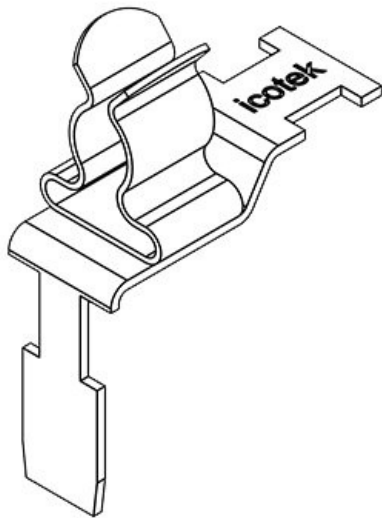
Part No.	37512.1	Shield diameter	1,5 - 3 mm
EAN	4251269305	Min. shield diam. pos. 1	1,5 mm
	696	Max. shield diam. pos. 1	3 mm
Package quantity	10	Length	26,5 mm
Suitable for I/O modules	Siemens SIMATIC ET 200SP	Strain relief function	Yes
No. of shield clamps	1	Width	11,8 mm
Shield clamp type	SKL	Height	32,9 mm
For max. no. of 1 cables			



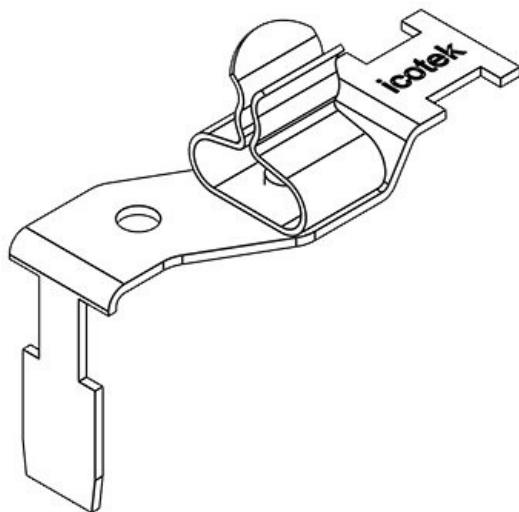
STFZ-SP|SKL 3-6

Part No.	37512.2	Shield diameter	3 - 6 mm
EAN	4251269305	Min. shield diam. pos. 1	3 mm
	702	Max. shield diam. pos. 1	6 mm
Package quantity	10	Length	26,5 mm
Suitable for I/O modules	Siemens SIMATIC ET 200SP	Strain relief function	Yes
No. of shield clamps	1	Width	11,8 mm
Shield clamp type	SKL	Height	33,6 mm
For max. no. of 1 cables			





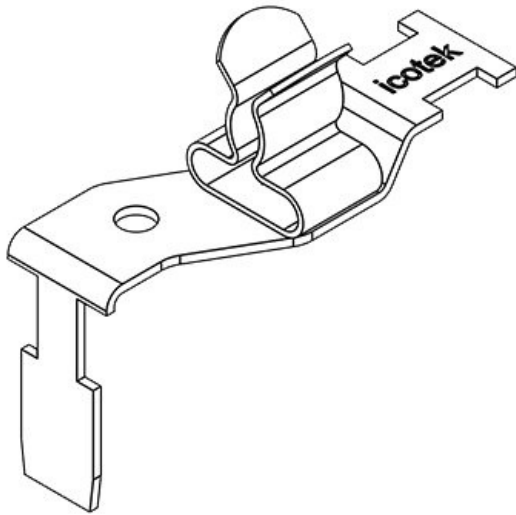
Part No.	37512.3	Shield diameter	6 - 8 mm
EAN	4251269305719	Min. shield diam. pos. 1	6 mm
Package quantity	10	Max. shield diam. pos. 1	8 mm
Suitable for I/O modules	Siemens SIMATIC ET 200SP	Length	26,5 mm
No. of shield clamps	1	Strain relief function	Yes
Shield clamp type	SKL	Width	11,8 mm
For max. no. of cables	1	Height	35 mm



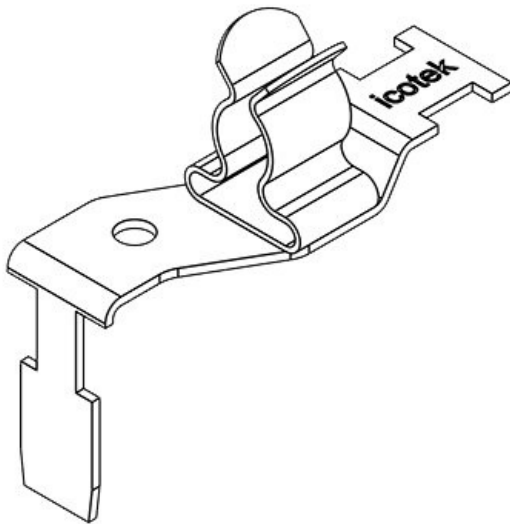
Part No.	37507.01	Shield diameter	- 1,5 - 3 mm
EAN	4251269305511	Length	36,5 mm
Package quantity	10	Min. shield diam. pos. 2	1,5 mm
Suitable for I/O modules	Siemens SIMATIC ET 200SP	Max. shield diam. pos. 2	3 mm
No. of shield clamps	1	Strain relief function	Yes
Shield clamp type	SKL	Width	15,9 mm
For max. no. of cables	1	Height	32,9 mm

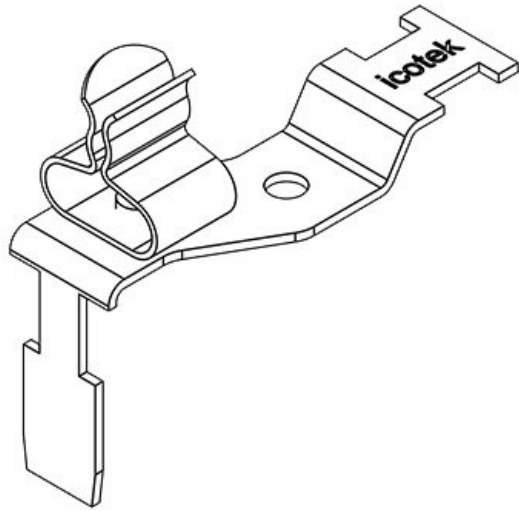
STFZ2-SP|02

Part No.	37507.02	Shield diameter	- 3 - 6 mm
EAN	4251269305	Length	36,5 mm
Package quantity	10	Min. shield diam. pos. 2	3 mm
Suitable for I/O modules	Siemens SIMATIC ET 200SP	Max. shield diam. pos. 2	6 mm
No. of shield clamps	1	Strain relief function	Yes
Shield clamp type	SKL	Width	15,9 mm
For max. no. of cables		Height	33,6 mm

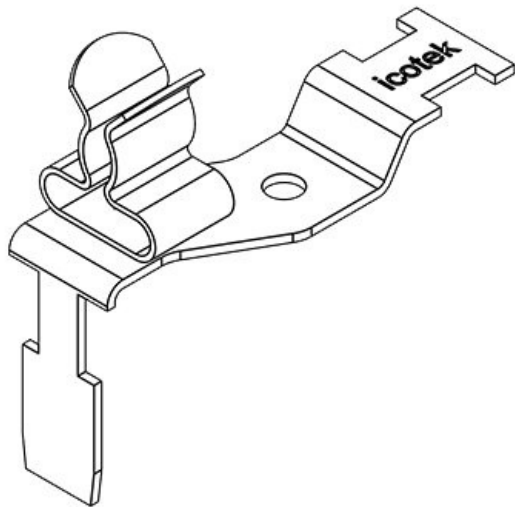
**STFZ2-SP|03**

Part No.	37507.03	Shield diameter	- 6 - 8 mm
EAN	4251269305	Length	36,5 mm
Package quantity	10	Min. shield diam. pos. 2	6 mm
Suitable for I/O modules	Siemens SIMATIC ET 200SP	Max. shield diam. pos. 2	8 mm
No. of shield clamps	1	Strain relief function	Yes
Shield clamp type	SKL	Width	15,9 mm
For max. no. of cables		Height	35 mm



STFZ2-SP|10

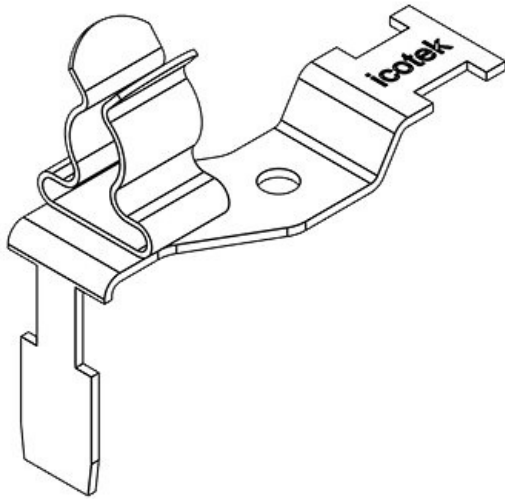
Part No.	37507.10	Shield diameter	1,5 - 3 mm -
EAN	4251269305	Min. shield diam. pos. 1	1,5 mm
Package quantity	10	Max. shield diam. pos. 1	3 mm
Suitable for I/O modules	Siemens SIMATIC ET 200SP	Length	36,5 mm
No. of shield clamps	1	Strain relief function	Yes
Shield clamp type	SKL	Width	15,9 mm
For max. no. of cables	1	Height	32,9 mm

STFZ2-SP|20

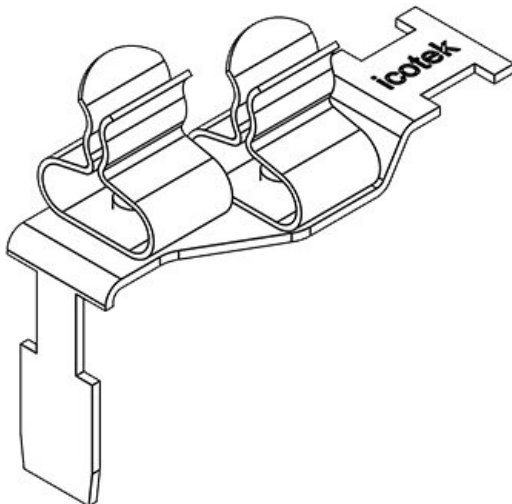
Part No.	37507.20	Shield diameter	3 - 6 mm -
EAN	4251269305	Min. shield diam. pos. 1	3 mm
Package quantity	10	Max. shield diam. pos. 1	6 mm
Suitable for I/O modules	Siemens SIMATIC ET 200SP	Length	36,5 mm
No. of shield clamps	1	Strain relief function	Yes
Shield clamp type	SKL	Width	15,9 mm
For max. no. of cables	1	Height	33,6 mm

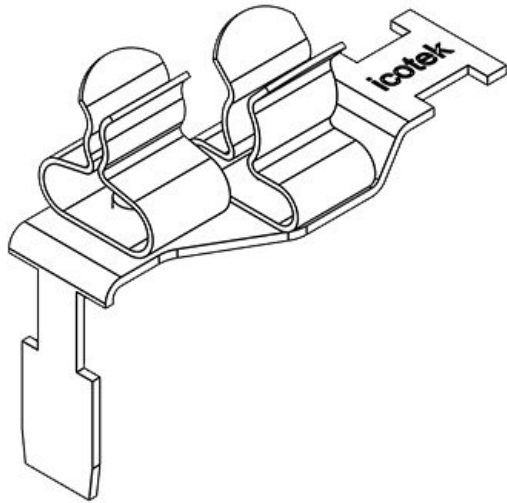
STFZ2-SP|30

Part No.	37507.30	Min. shield	6 mm
EAN	4251269305	diam. pos. 1	
	627	Max. shield	8 mm
Package	10	diam. pos. 1	
quantity		Length	36,5 mm
Suitable for I/O	Siemens	Strain relief	Yes
modules	SIMATIC ET	function	
	200SP	Width	15,9 mm
No. of shield	1	Height	35 mm
clamps			
Shield clamp	SKL		
type			
For max. no. of	1		
cables			

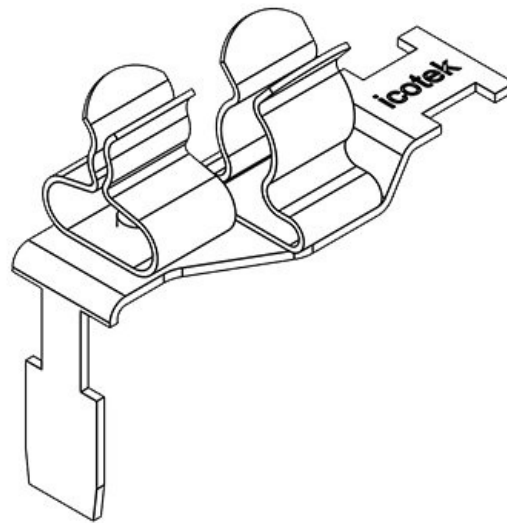
**STFZ2-SP|11**

Part No.	37507.11	Shield	1,5 - 3 mm
EAN	4251269305	diameter	1,5 - 3 mm
	559	Min. shield	1,5 mm
Package	10	diam. pos. 1	
quantity		Max. shield	3 mm
Suitable for I/O	Siemens	diam. pos. 1	
modules	SIMATIC ET	Length	36,5 mm
	200SP	Min. shield	1,5 mm
No. of shield	2	diam. pos. 2	
clamps		Max. shield	3 mm
Shield clamp	SKL	diam. pos. 2	
type		Strain relief	Yes
For max. no. of	2	function	
cables		Width	15,9 mm
		Height	32,9 mm

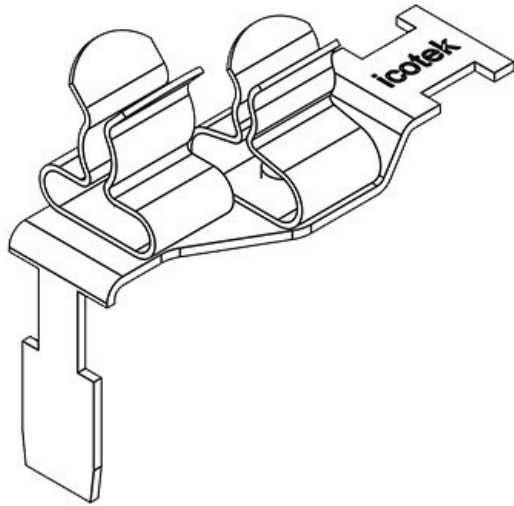




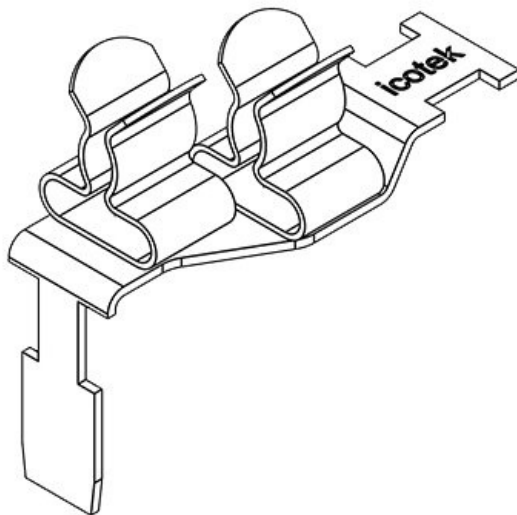
Part No.	37507.12	Shield diameter	1,5 - 3 mm
EAN	4251269305566	Min. shield diam. pos. 1	3 - 6 mm
Package quantity	10	Max. shield diam. pos. 1	1,5 mm
Suitable for I/O modules	Siemens SIMATIC ET 200SP	Length	3 mm
No. of shield clamps	2	Min. shield diam. pos. 2	36,5 mm
Shield clamp type	SKL	Max. shield diam. pos. 2	3 mm
For max. no. of cables	2	Strain relief function	6 mm
		Width	Yes
		Height	16,8 mm
			33,6 mm



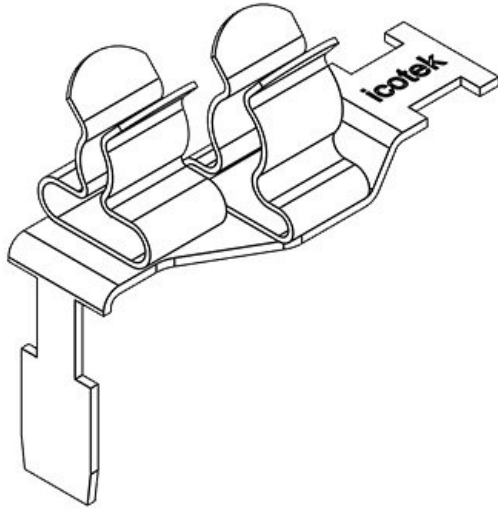
Part No.	37507.13	Shield diameter	1,5 - 3 mm
EAN	4251269305573	Min. shield diam. pos. 1	6 - 8 mm
Package quantity	10	Max. shield diam. pos. 1	1,5 mm
Suitable for I/O modules	Siemens SIMATIC ET 200SP	Length	3 mm
No. of shield clamps	2	Min. shield diam. pos. 2	36,5 mm
Shield clamp type	SKL	Max. shield diam. pos. 2	6 mm
For max. no. of cables	2	Strain relief function	8 mm
		Width	Yes
		Height	16,8 mm
			35 mm



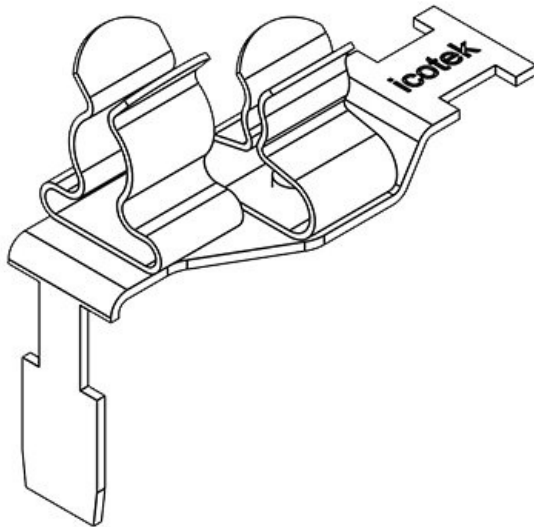
Part No.	37507.21	Shield diameter	3 - 6 mm
EAN	4251269305	Min. shield diameter	1,5 - 3 mm
	597	Max. shield diameter	3 mm
Package quantity	10	Min. shield diam. pos. 1	3 mm
Suitable for I/O modules	Siemens SIMATIC ET 200SP	Max. shield diam. pos. 1	6 mm
No. of shield clamps	2	Length	36,5 mm
Shield clamp type	SKL	Min. shield diam. pos. 2	1,5 mm
For max. no. of cables	2	Max. shield diam. pos. 2	3 mm
		Strain relief function	Yes
		Width	16,8 mm
		Height	33,6 mm



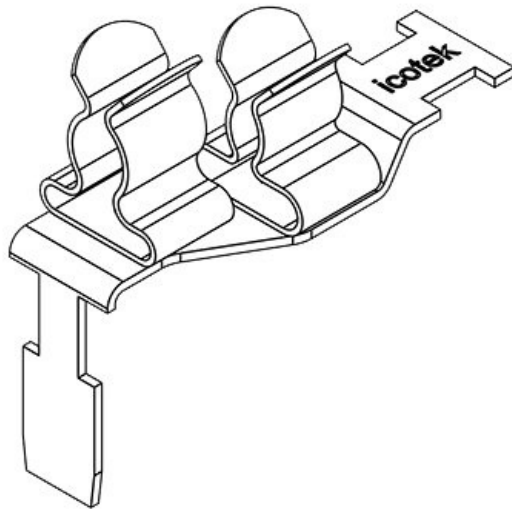
Part No.	37507.22	Shield diameter	3 - 6 mm 3 -
EAN	4251269305	Min. shield diameter	6 mm
	603	Max. shield diameter	3 mm
Package quantity	10	Min. shield diam. pos. 1	3 mm
Suitable for I/O modules	Siemens SIMATIC ET 200SP	Max. shield diam. pos. 1	6 mm
No. of shield clamps	2	Length	36,5 mm
Shield clamp type	SKL	Min. shield diam. pos. 2	3 mm
For max. no. of cables	2	Max. shield diam. pos. 2	6 mm
		Strain relief function	Yes
		Width	16,8 mm
		Height	33,6 mm



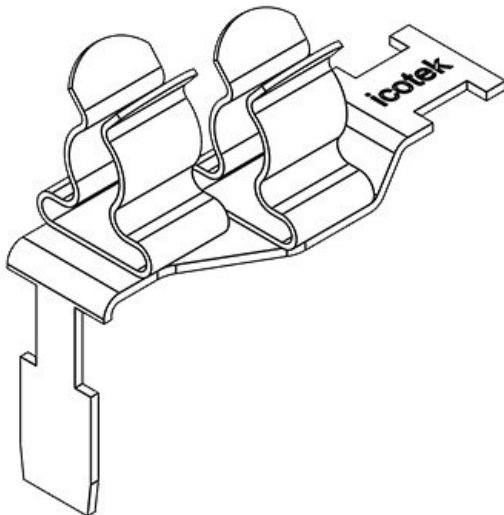
Part No.	37507.23	Shield diameter	3 - 6 mm 6 - 8 mm
EAN	4251269305610	Min. shield diam. pos. 1	3 mm
Package quantity	10	Max. shield diam. pos. 1	6 mm
Suitable for I/O modules	Siemens SIMATIC ET 200SP	Length	36,5 mm
No. of shield clamps	2	Min. shield diam. pos. 2	6 mm
Shield clamp type	SKL	Max. shield diam. pos. 2	8 mm
For max. no. of cables	2	Strain relief function	Yes
		Width	16,8 mm
		Height	35 mm



Part No.	37507.31	Shield diameter	6 - 8 mm 1,5 - 3 mm
EAN	4251269305634	Min. shield diam. pos. 1	6 mm
Package quantity	10	Max. shield diam. pos. 1	8 mm
Suitable for I/O modules	Siemens SIMATIC ET 200SP	Length	36,5 mm
No. of shield clamps	2	Min. shield diam. pos. 2	1,5 mm
Shield clamp type	SKL	Max. shield diam. pos. 2	3 mm
For max. no. of cables	2	Strain relief function	Yes
		Width	16,8 mm
		Height	35 mm

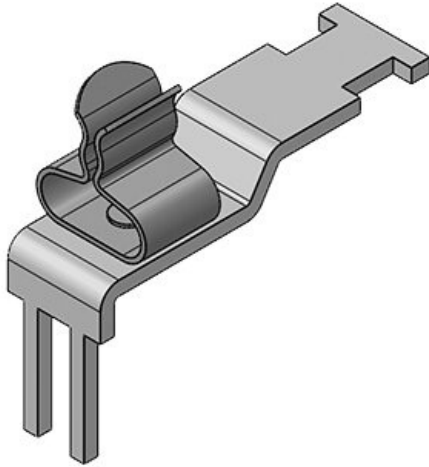


Part No.	37507.32	Shield diameter	6 - 8 mm 3 - 6 mm
EAN	4251269305641	Min. shield diam. pos. 1	6 mm
Package quantity	10	Max. shield diam. pos. 1	8 mm
Suitable for I/O modules	Siemens SIMATIC ET 200SP	Length	36,5 mm
No. of shield clamps	2	Min. shield diam. pos. 2	3 mm
Shield clamp type	SKL	Max. shield diam. pos. 2	6 mm
For max. no. of cables	2	Strain relief function	Yes
		Width	16,8 mm
		Height	35 mm



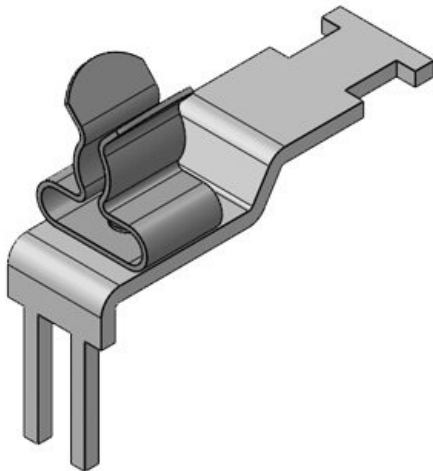
Part No.	37507.33	Shield diameter	6 - 8 mm 6 - 8 mm
EAN	4251269305658	Min. shield diam. pos. 1	6 mm
Package quantity	10	Max. shield diam. pos. 1	8 mm
Suitable for I/O modules	Siemens SIMATIC ET 200SP	Length	36,5 mm
No. of shield clamps	2	Min. shield diam. pos. 2	6 mm
Shield clamp type	SKL	Max. shield diam. pos. 2	8 mm
For max. no. of cables	2	Strain relief function	Yes
		Width	16,8 mm
		Height	35 mm

STFZ-U|SKL 1.5-3

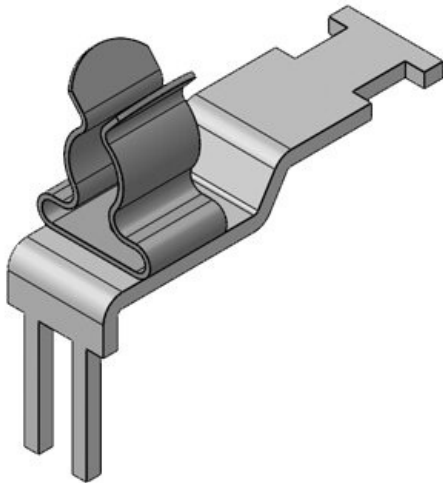


Part No.	37514.1	Shield diameter	1,5 - 3 mm
EAN	4251269305	Min. shield diam. pos. 1	1,5 mm
Package quantity	10	Max. shield diam. pos. 1	3 mm
Suitable for I/O modules	Beckhoff EL/ES 3122, ES 9100, ES 9410, KL 1114, KS 2134, Omron NX	Length	35,5 mm
		Strain relief function	Yes
		Width	11,8 mm
		Height	29,9 mm
No. of shield clamps	1		
Shield clamp type	SKL		
For max. no. of cables	1		

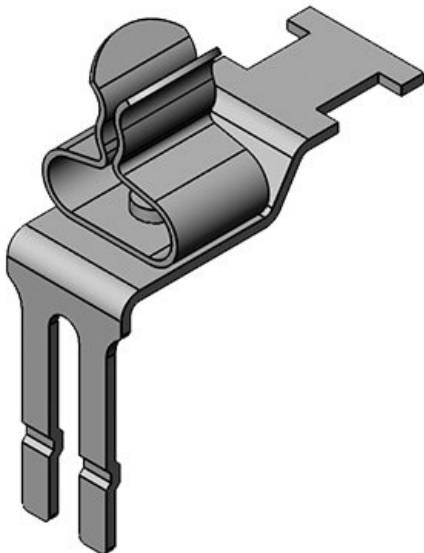
STFZ-U|SKL 3-6



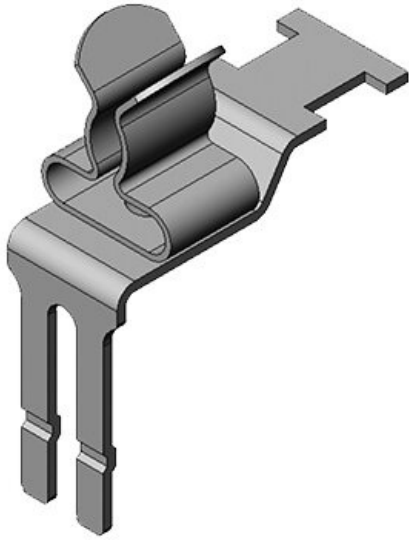
Part No.	37514.2	Shield diameter	3 - 6 mm
EAN	4251269305	Min. shield diam. pos. 1	3 mm
Package quantity	10	Max. shield diam. pos. 1	6 mm
Suitable for I/O modules	Beckhoff EL/ES 3122, ES 9100, ES 9410, KL 1114, KS 2134, Omron NX	Length	35,5 mm
		Strain relief function	Yes
		Width	11,8 mm
		Height	30,6 mm
No. of shield clamps	1		
Shield clamp type	SKL		
For max. no. of cables	1		



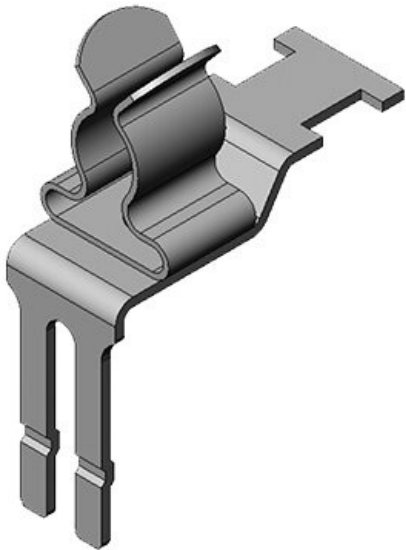
Part No.	37514.3	Shield diameter	6 - 8 mm
EAN	4251269305	Min. shield diam. pos. 1	6 mm
Package quantity	740	Max. shield diam. pos. 1	8 mm
Suitable for I/O modules	Beckhoff EL/ES 3122, ES 9100, ES 9410, KL 1114, KS 2134, Omron NX	Length	35,5 mm
		Strain relief function	Yes
		Width	11,8 mm
		Height	31,6 mm
No. of shield clamps	1		
Shield clamp type	SKL		
For max. no. of cables	1		



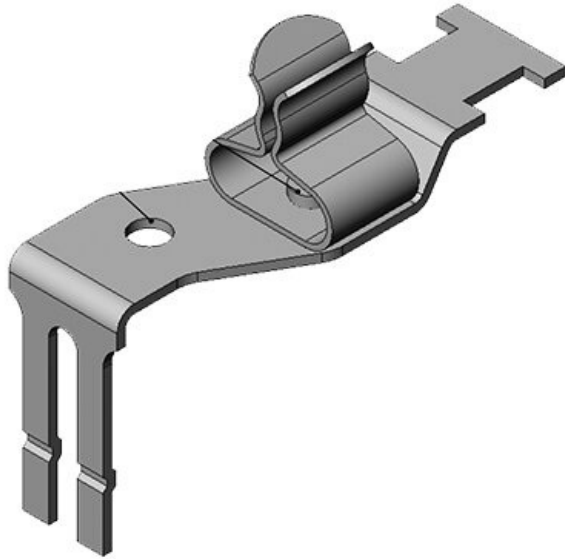
Part No.	37510.1	Shield diameter	1,5 - 3 mm
EAN	4251269305	Min. shield diam. pos. 1	1,5 mm
Package quantity	665	Max. shield diam. pos. 1	3 mm
Suitable for I/O modules	Bosch Rexroth Inline (IP20), Phoenix Contact Inline, Pilz PSSu, Siemens ET200s, TURCK BL20, WAGO 750, VIPA SLIO, RA / Allen-Bradley 1734	Length	26,5 mm
		Strain relief function	Yes
		Width	11,8 mm
		Height	32,9 mm
No. of shield clamps	1		
Shield clamp type	SKL		
For max. no. of cables	1		



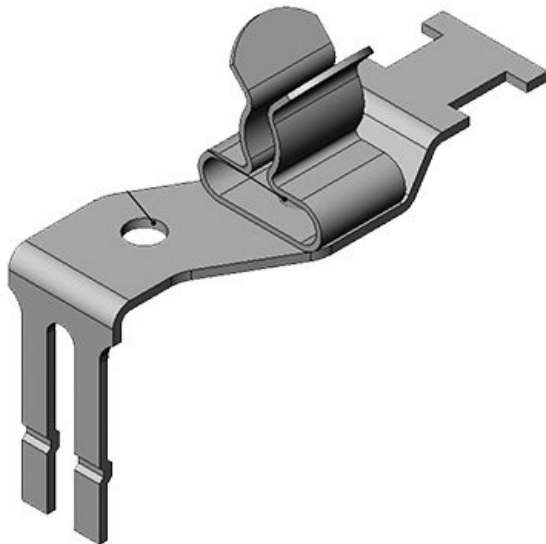
Part No.	37510.2	Shield diameter	3 - 6 mm
EAN	4251269305672	Min. shield diam. pos. 1	3 mm
Package quantity	10	Max. shield diam. pos. 1	6 mm
Suitable for I/O modules	Bosch Rexroth Inline (IP20), Phoenix Contact Inline, Pilz PSSu, Siemens ET200s, TURCK BL20, WAGO 750, VIPA SLIO, RA / Allen-Bradley 1734	Length	26,5 mm
		Strain relief function	Yes
		Width	11,8 mm
		Height	33,6 mm
No. of shield clamps	1		
Shield clamp type	SKL		
For max. no. of cables	1		



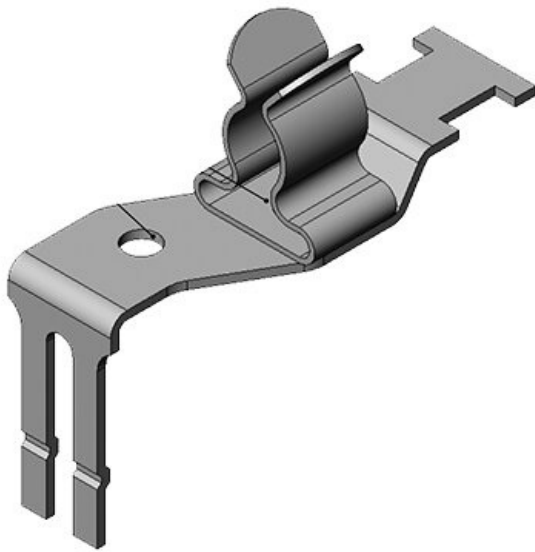
Part No.	37510.3	Shield diameter	6 - 8 mm
EAN	4251269305689	Min. shield diam. pos. 1	6 mm
Package quantity	10	Max. shield diam. pos. 1	8 mm
Suitable for I/O modules	Bosch Rexroth Inline (IP20), Phoenix Contact Inline, Pilz PSSu, Siemens ET200s, TURCK BL20, WAGO 750, VIPA SLIO, RA / Allen-Bradley 1734	Length	26,5 mm
		Strain relief function	Yes
		Width	11,8 mm
		Height	35 mm
No. of shield clamps	1		
Shield clamp type	SKL		
For max. no. of cables	1		



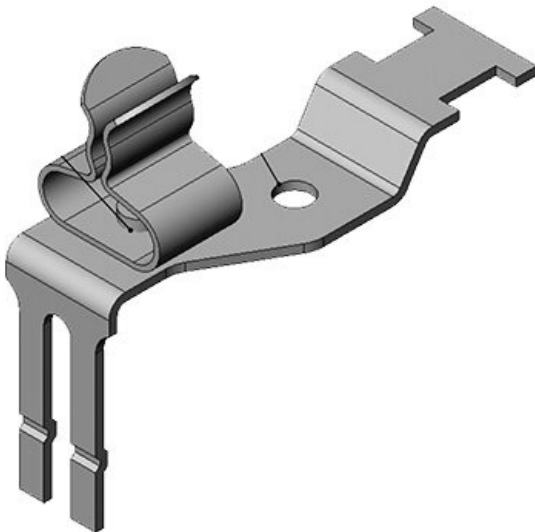
Part No.	37505.01	Shield diameter	- 1,5 - 3 mm
EAN	4251269305	Length	36 mm
Package quantity	10	Min. shield diam. pos. 2	1,5 mm
Suitable for I/O modules	Bosch Rexroth Inline (IP20), Phoenix Contact Inline, Pilz PSSu, Siemens ET200s, TURCK BL20, WAGO 750, VIPA SLIO, RA / Allen-Bradley 1734	Max. shield diam. pos. 2	3 mm
		Strain relief function	Yes
		Width	16 mm
		Height	33 mm
No. of shield clamps	1		
Shield clamp type	SKL		
For max. no. of cables	1		



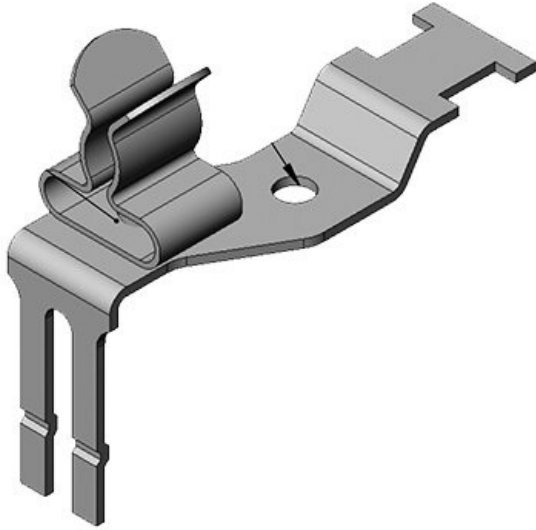
Part No.	37505.02	Shield diameter	- 3 - 6 mm
EAN	4251269305	Length	36 mm
Package quantity	10	Min. shield diam. pos. 2	3 mm
Suitable for I/O modules	Bosch Rexroth Inline (IP20), Phoenix Contact Inline, Pilz PSSu, Siemens ET200s, TURCK BL20, WAGO 750, VIPA SLIO, RA / Allen-Bradley 1734	Max. shield diam. pos. 2	6 mm
		Strain relief function	Yes
		Width	16 mm
		Height	34 mm
No. of shield clamps	1		
Shield clamp type	SKL		
For max. no. of cables	1		



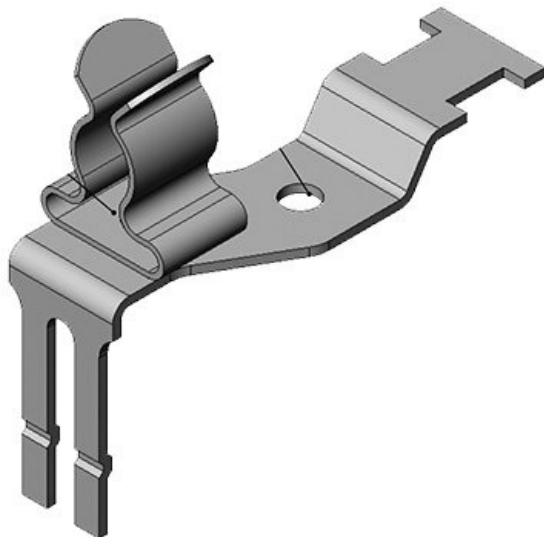
Part No.	37505.03	Shield diameter	- 6 - 8 mm
EAN	4251269305		
	382	Length	36 mm
Package quantity	10	Min. shield diam. pos. 2	6 mm
Suitable for I/O modules	Bosch Rexroth Inline (IP20), Phoenix Contact Inline, Pilz PSSu, Siemens ET200s, TURCK BL20, WAGO 750, VIPA SLIO, RA / Allen-Bradley 1734	Max. shield diam. pos. 2	8 mm
		Strain relief function	Yes
		Width	16 mm
		Height	35 mm
No. of shield clamps	1		
Shield clamp type	SKL		
For max. no. of cables	1		



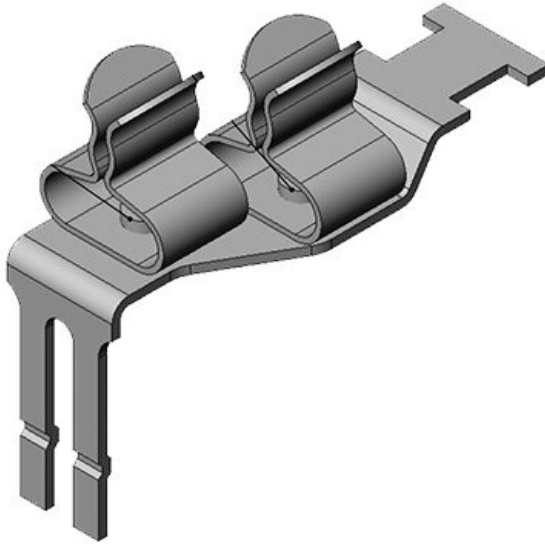
Part No.	37505.10	Shield diameter	1,5 - 3 mm -
EAN	4251269305		
	399	Min. shield diam. pos. 1	1,5 mm
Package quantity	10	Max. shield diam. pos. 1	3 mm
Suitable for I/O modules	Bosch Rexroth Inline (IP20), Phoenix Contact Inline, Pilz PSSu, Siemens ET200s, TURCK BL20, WAGO 750, VIPA SLIO, RA / Allen-Bradley 1734	Length	36 mm
		Strain relief function	Yes
		Width	16 mm
		Height	33 mm
No. of shield clamps	1		
Shield clamp type	SKL		
For max. no. of cables	1		



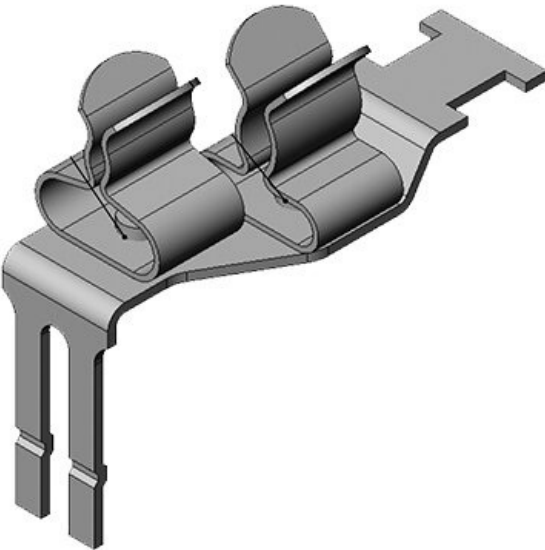
Part No.	37505.20	Shield diameter	3 - 6 mm -
EAN	4251269305	Min. shield diam. pos. 1	3 mm
	436	Max. shield diam. pos. 1	6 mm
Package quantity	10	Length	36 mm
Suitable for I/O modules	Bosch Rexroth Inline (IP20), Phoenix Contact Inline, Pilz PSSu, Siemens ET200s, TURCK BL20, WAGO 750, VIPA SLIO, RA / Allen-Bradley 1734	Strain relief function	Yes
		Width	16 mm
		Height	34 mm
No. of shield clamps	1		
Shield clamp type	SKL		
For max. no. of cables	1		



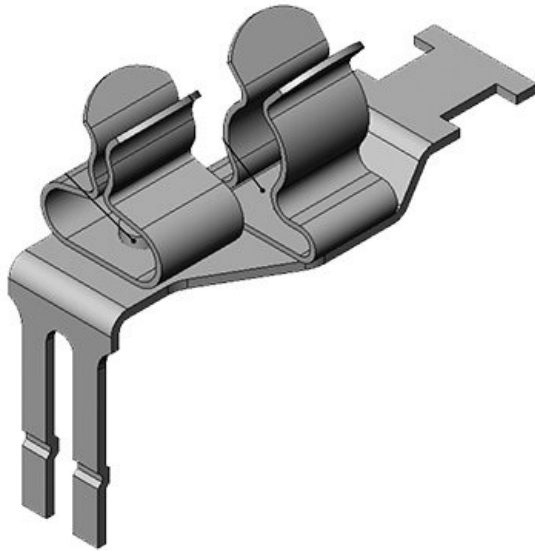
Part No.	37505.30	Min. shield diam. pos. 1	6 mm
EAN	4251269305	Max. shield diam. pos. 1	8 mm
	474	Length	36 mm
Package quantity	10	Strain relief function	Yes
Suitable for I/O modules	Bosch Rexroth Inline (IP20), Phoenix Contact Inline, Pilz PSSu, Siemens ET200s, TURCK BL20, WAGO 750, VIPA SLIO, RA / Allen-Bradley 1734	Width	16 mm
		Height	35 mm
No. of shield clamps	1		
Shield clamp type	SKL		
For max. no. of cables	1		



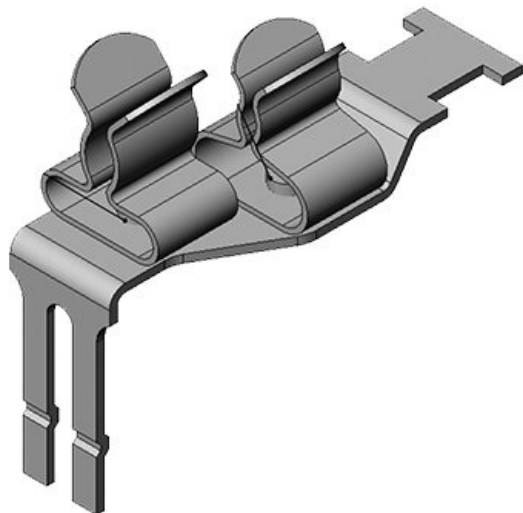
Part No.	37505.11	Shield diameter	1,5 - 3 mm
EAN	4251269305405	Min. shield diam. pos. 1	1,5 - 3 mm
Package quantity	10	Max. shield diam. pos. 1	3 mm
Suitable for I/O modules	Bosch Rexroth Inline (IP20), Phoenix Contact Inline, Pilz PSSu, Siemens ET200s, TURCK BL20, WAGO 750, VIPA SLIO, RA / Allen-Bradley 1734	Length	36 mm
		Min. shield diam. pos. 2	1,5 mm
		Max. shield diam. pos. 2	3 mm
		Strain relief function	Yes
		Width	17 mm
		Height	33 mm
No. of shield clamps	2		
Shield clamp type	SKL		
For max. no. of cables	2		



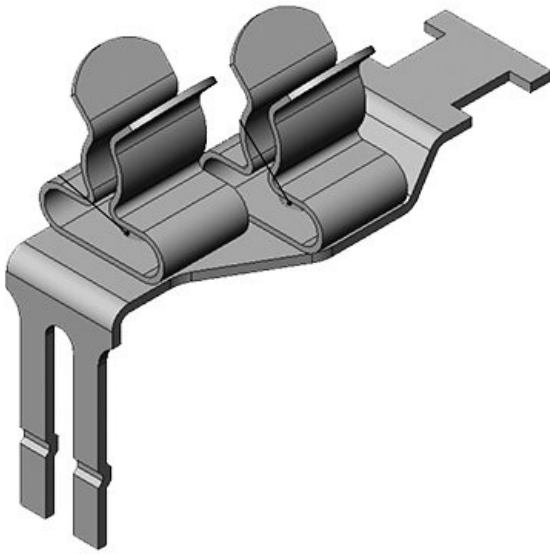
Part No.	37505.12	Shield diameter	1,5 - 3 mm
EAN	4251269305412	Min. shield diam. pos. 1	3 - 6 mm
Package quantity	10	Max. shield diam. pos. 1	3 mm
Suitable for I/O modules	Bosch Rexroth Inline (IP20), Phoenix Contact Inline, Pilz PSSu, Siemens ET200s, TURCK BL20, WAGO 750, VIPA SLIO, RA / Allen-Bradley 1734	Length	36 mm
		Min. shield diam. pos. 2	3 mm
		Max. shield diam. pos. 2	6 mm
		Strain relief function	Yes
		Width	17 mm
		Height	34 mm
No. of shield clamps	2		
Shield clamp type	SKL		
For max. no. of cables	2		



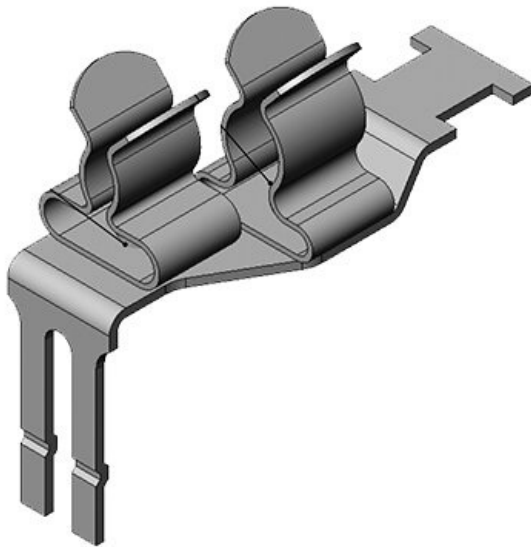
Part No.	37505.13	Shield diameter	1,5 - 3 mm 6 - 8 mm
EAN	4251269305429	Min. shield diam. pos. 1	1,5 mm
Package quantity	10	Max. shield diam. pos. 1	3 mm
Suitable for I/O modules	Bosch Rexroth Inline (IP20), Phoenix Contact Inline, Pilz PSSu, Siemens ET200s, TURCK BL20, WAGO 750, VIPA SLIO, RA / Allen-Bradley 1734	Length	36 mm
		Min. shield diam. pos. 2	6 mm
		Max. shield diam. pos. 2	8 mm
		Strain relief function	Yes
		Width	17 mm
		Height	35 mm
No. of shield clamps	2		
Shield clamp type	SKL		
For max. no. of cables	2		



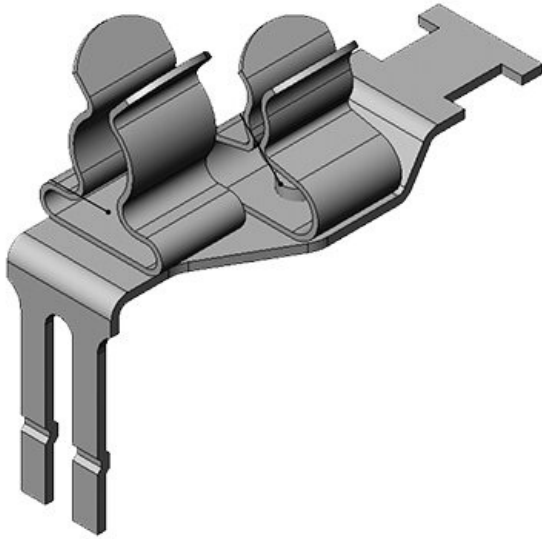
Part No.	37505.21	Shield diameter	3 - 6 mm 1,5 - 3 mm
EAN	4251269305443	Min. shield diam. pos. 1	3 mm
Package quantity	10	Max. shield diam. pos. 1	6 mm
Suitable for I/O modules	Bosch Rexroth Inline (IP20), Phoenix Contact Inline, Pilz PSSu, Siemens ET200s, TURCK BL20, WAGO 750, VIPA SLIO, RA / Allen-Bradley 1734	Length	36 mm
		Min. shield diam. pos. 2	1,5 mm
		Max. shield diam. pos. 2	3 mm
		Strain relief function	Yes
		Width	17 mm
		Height	34 mm
No. of shield clamps	2		
Shield clamp type	SKL		
For max. no. of cables	2		



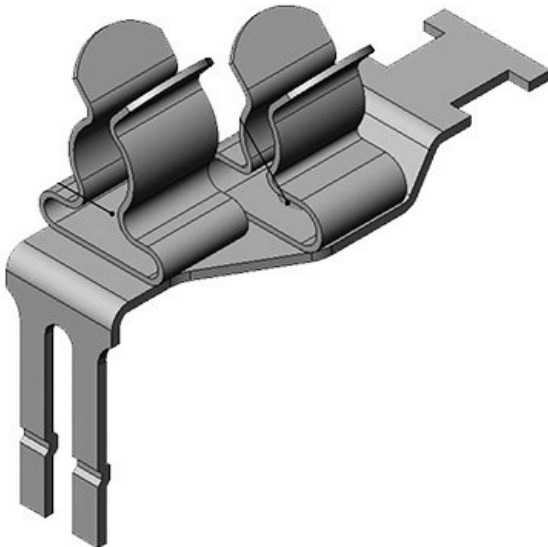
Part No.	37505.22	Shield diameter	3 - 6 mm 3 - 6 mm
EAN	4251269305450	Min. shield diam. pos. 1	3 mm
Package quantity	10	Max. shield diam. pos. 1	6 mm
Suitable for I/O modules	Bosch Rexroth Inline (IP20), Phoenix Contact Inline, Pilz PSSu, Siemens ET200s, TURCK BL20, WAGO 750, VIPA SLIO, RA / Allen-Bradley 1734	Length	36 mm
		Min. shield diam. pos. 2	3 mm
		Max. shield diam. pos. 2	6 mm
		Strain relief function	Yes
		Width	17 mm
		Height	34 mm
No. of shield clamps	2		
Shield clamp type	SKL		
For max. no. of cables	2		



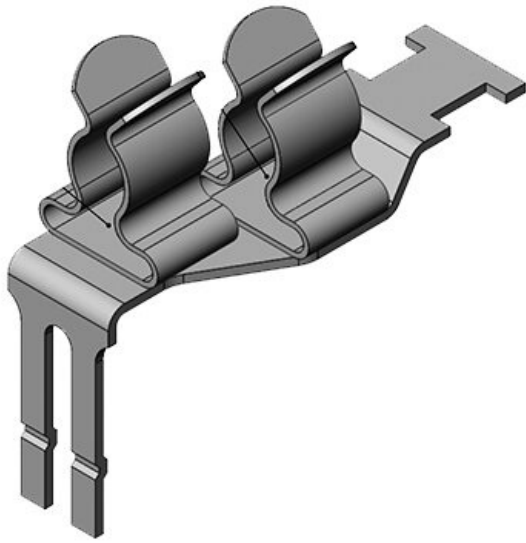
Part No.	37505.23	Shield diameter	3 - 6 mm 6 - 8 mm
EAN	4251269305467	Min. shield diam. pos. 1	3 mm
Package quantity	10	Max. shield diam. pos. 1	6 mm
Suitable for I/O modules	Bosch Rexroth Inline (IP20), Phoenix Contact Inline, Pilz PSSu, Siemens ET200s, TURCK BL20, WAGO 750, VIPA SLIO, RA / Allen-Bradley 1734	Length	36 mm
		Min. shield diam. pos. 2	6 mm
		Max. shield diam. pos. 2	8 mm
		Strain relief function	Yes
		Width	17 mm
		Height	35 mm
No. of shield clamps	2		
Shield clamp type	SKL		
For max. no. of cables	2		



Part No.	37505.31	Shield diameter	6 - 8 mm
EAN	4251269305481	Min. shield diam. pos. 1	1,5 - 3 mm
Package quantity	10	Max. shield diam. pos. 1	6 mm
Suitable for I/O modules	Bosch Rexroth Inline (IP20), Phoenix Contact Inline, Pilz PSSu, Siemens ET200s, TURCK BL20, WAGO 750, RA / Allen-Bradley 1734	Length	36 mm
		Min. shield diam. pos. 2	1,5 mm
		Max. shield diam. pos. 2	3 mm
		Strain relief function	Yes
		Width	17 mm
		Height	35 mm
No. of shield clamps	2		
Shield clamp type	SKL		
For max. no. of cables	2		



Part No.	37505.32	Shield diameter	6 - 8 mm 3 -
EAN	4251269305498	Min. shield diam. pos. 1	6 mm
Package quantity	10	Max. shield diam. pos. 1	6 mm
Suitable for I/O modules	Bosch Rexroth Inline (IP20), Phoenix Contact Inline, Pilz PSSu, Siemens ET200s, TURCK BL20, WAGO 750, RA / Allen-Bradley 1734	Length	36 mm
		Min. shield diam. pos. 2	3 mm
		Max. shield diam. pos. 2	6 mm
		Strain relief function	Yes
		Width	17 mm
		Height	35 mm
No. of shield clamps	2		
Shield clamp type	SKL		
For max. no. of cables	2		



Part No.	37505.33	Shield	6 - 8 mm 6 -
EAN	4251269305	diameter	8 mm
	504	Min. shield	6 mm
Package	10	diam. pos. 1	
quantity		Max. shield	8 mm
Suitable for I/O	Bosch	diam. pos. 1	
modules	Rexroth	Length	36 mm
	Inline (IP20),	Min. shield	6 mm
	Phoenix	diam. pos. 2	
	Contact	Max. shield	8 mm
	Inline, Pilz	diam. pos. 2	
	PSSu,	Strain relief	Yes
	Siemens	function	
	ET200s,	Width	17 mm
	TURCK BL20,	Height	35 mm
	WAGO 750,		
	VIPA SLIO,		
	RA / Allen-		
	Bradley 1734		
No. of shield	2	clamps	
Shield clamp	SKL	type	
For max. no. of	2	cables	

STFZ I/O Insert Tool



Part No.	61430
EAN	
Package	1
quantity	